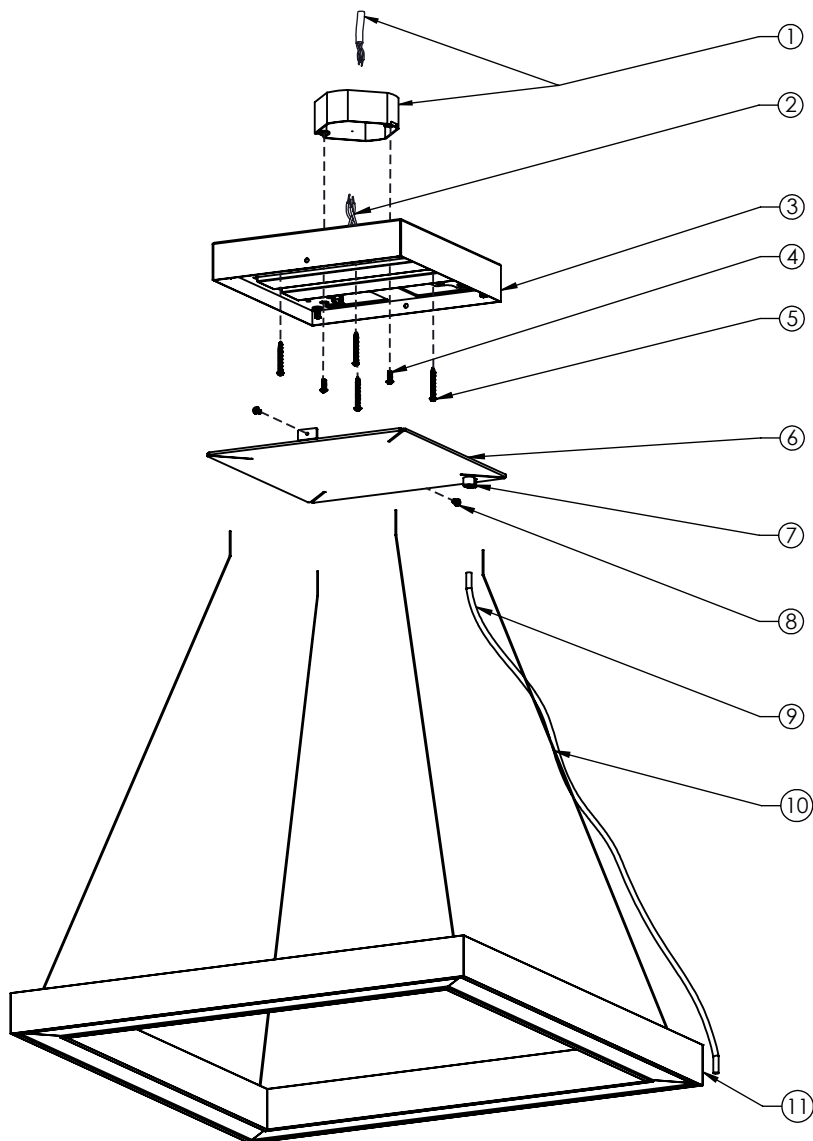
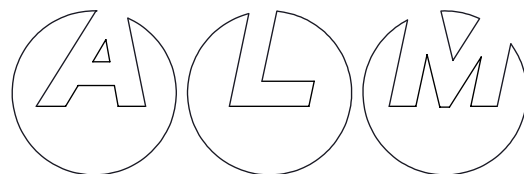


Frame 50

PENDANT - CENTER CANOPY - DRIVER IN CANOPY

INSTALLATION INSTRUCTIONS



NOTE:

Additional mounting hardware provided for installation where octagon box is not available.

1	4" Octagon box and power feed (by others)
2	Driver power wires
3	Canopy assembly (driver housing)
4	Mounting screws to octagon box 8-32 x 3/4" long, round head (by others)
5	Additional mounting hardware (provided)
6	Canopy plate
7	Power cord gripper
8	Canopy plate mounting screws
9	Flexible power cord
10	Stainless steel aircraft cable (x4)
11	Fixture assembly

INSTRUCTIONS:

1. Unscrew canopy plate mounting screws and remove canopy plate from the canopy assembly.
2. Bring the electrical power feed through the hole in the canopy assembly and secure canopy assembly to the standard 4" octagon box (screws by others). If octagon box is not available, secure canopy assembly to the ceiling using additional mounting hardware provided.
3. Splice the driver wires to the power feed as required.
4. Bring aircraft cables through the adjustable cable grippers mounted on the canopy assembly.
5. Bring the power cord through the power cord gripper mounted on the canopy plate and secure with set screw provided.
6. Splice the fixture and driver wires as required. Wires for connection are clearly labeled.
7. Secure canopy plate onto the canopy assembly using screws provided.
8. Adjust height with adjustable aircraft cable grippers. Level the fixture.
9. Energize.

GENERAL NOTE:

- * Turn power off before beginning.
- * Do not connect to an ungrounded supply.
- * Consult a qualified electrician to ensure correct branch circuit conductor.
- * This product must be installed in accordance with the applicable installation code by a person familiar with the construction and operation of the product and the hazards involved.
- * Save these instructions.